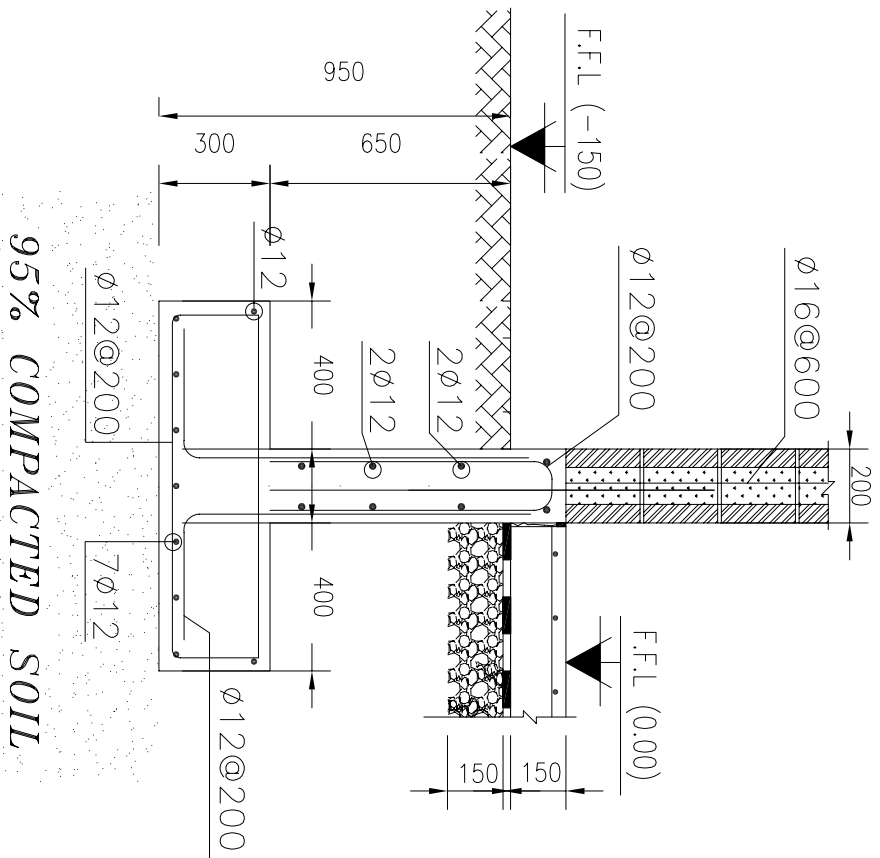


1 FOUNDATION PLAN

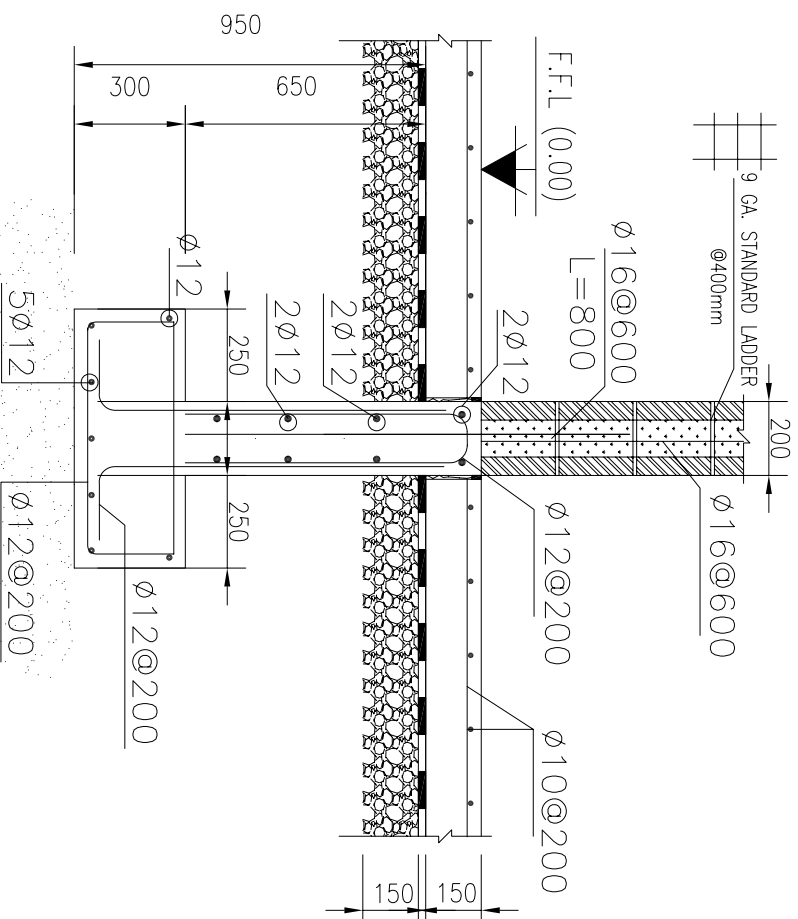
SCALE: 1:100



2 SECTION(A-A) F1

SCALE: 1:10

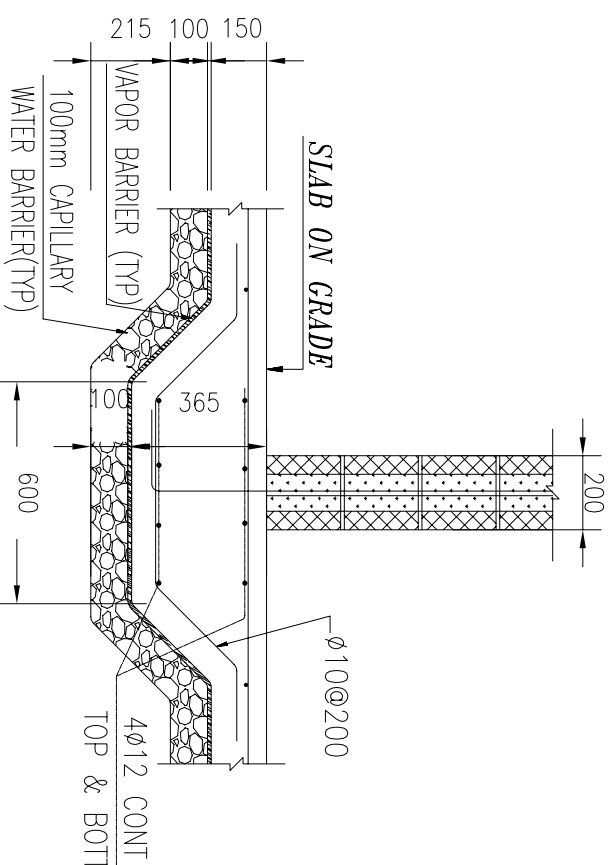
95% COMPACTED SOIL



3 SECTION(B-B) F2

SCALE: 1:10

95% COMPACTED SOIL



4 SLAB ON GRADE DETAIL

SCALE: 1:10

UNLESS OTHERWISE NOTED, LINEAR DIMENSIONS SHOWN ARE IN MILLIMETERS.

- Notes:-**
- FOOTING DESIGN IS BASED ON ASSUMED BEARING CAPACITY 0.8 KG/CM2 AT FOUNDATION LEVEL 1.30m FROM THE FINISHED GRADE LEVEL. THESE ASSUMPTIONS SHOULD BE VERIFIED BY GEOTECHNICAL REPORT.
  - ALL WORKS UNDER GROUND LEVEL HAVE TO BE COATED WITH BITUMINOUS LAYERS.
  - STATFACTORY MATERIALS SHALL COMPRISE ANY MATERIALS CLASSIFIED BY ASTM D2487 FOR BACKFILL.
  - REINFORCED STEEL BARS ARE DEFORMED HIGH GRADE STEEL OF GRADE 60 (fy=420 MPa).
  - R.C CYLINDER MINIMUM STRENGTH = 20 MPa AFTER 28 DAYS.

Mark	Description	Date	Appr.	Mark	Description	Date	Appr.
ⓐ	65% DESIGN RESUBMITTAL#1	22/05/08					
ⓑ	65% DESIGN SUBMITTAL	06/03/08					
ⓒ	35% FINAL REVISED SUBMITTAL	19/01/08					
ⓓ	35% REVISED DESIGN SUBMITTAL	09/11/07					
ⓔ	35% DESIGN SUBMITTAL	17/09/07					



Client: US Army Corps of Engineers Afghanistan Engineer District Kabul Afghanistan	Designed by: N.A. Reviewed by: E.D. Submitted by:	Drawn by: N.A. Drwg. Code: DP-S-01	Contract Date: 22/05/08 Plot Scale: 1:100 & 1:10
Contractor: PRO SIMA	Designer: [Logo]	Solicitation No.: W917PM-07-R-0034-0001	Contract No.: W917PM-07-C-0034

ANA COMMANDO COMPLEX  
KABUL, AFGHANISTAN  
DPW ADMINISTRATION  
FOUNDATION PLAN AND DETAILS

Sheet reference number: DP-S-01